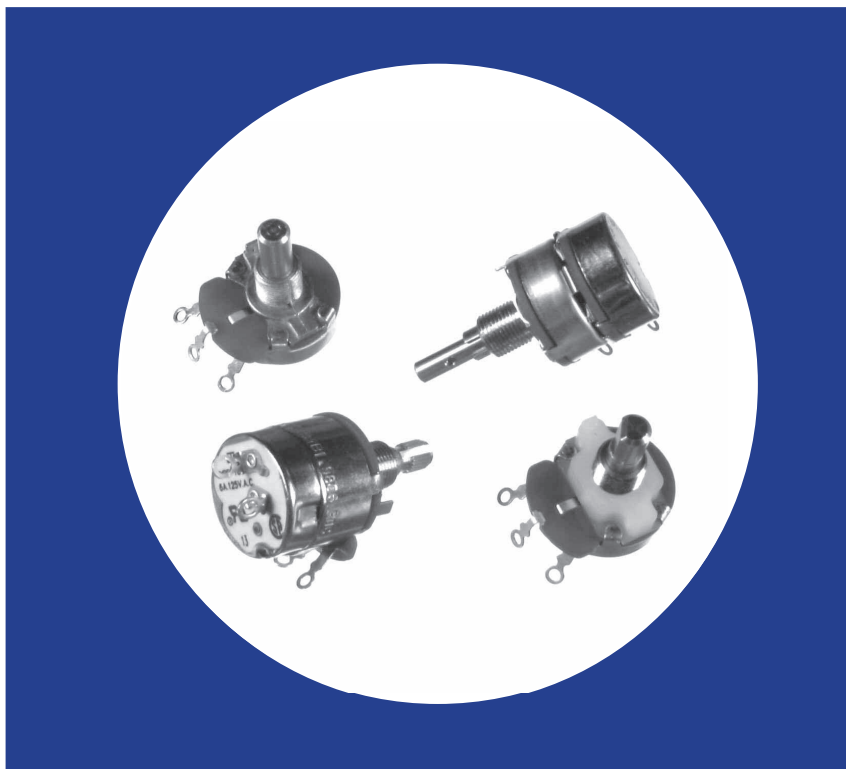


Industrial 15/16" (24mm) Diameter, 5-Watt, Wirewound Variable Resistors

Features

- Dust-proof construction
- Water splash proof construction available
- 5-watt power rating
- Superior resistance stability in temperature and environment change
- Tandem constructions available
- Bushing or twist tab mounting
- Available with pull-push and rotary power switches
- Excellent linearity performance
- RoHS compliant



Electrical and Mechanical Specifications

Resistance Range

Linear : 1 ohm through 25K ohms
Audio : 20 ohms through 10K ohms

Resistance Tolerance

Standard : $\pm 10\%$
Special : Tighter tolerance available in most resistance values

Power Rating

5 watts @25°C, 4 watts @ 55°C, derated to no load at 105°C, linear taper
(Derating required on two section counts.)

Voltage Rating

Bushing to Terminals:
High pot test, one minute -- 1,000 VAC
Operating maximum -- 500 VDC

Across End Terminals:
350 VDC maximum, load not to exceed wattage rating.

Resistance Tapers

Standard: Linear or 20% audio
Special: Consult CTS

Linearity

Standard: 3% linearity
Special: Consult CTS

Power Switches

Rotary Pole-SPST, DPST & SPDT
Pull-Push Pole-SPST (Pull-ON, Push-OFF)

Rotational Angle

Mechanical Rotation:
Without switch: $300^{\circ} \pm 5^{\circ}$
With switch: $300^{\circ} \pm 5^{\circ}$

Effective Rotation:
Without switch: $280^{\circ} \pm 5^{\circ}$
With switch: $265^{\circ} \pm 5^{\circ}$

Rotational Torque:

Standard: 3/4 to 6 in. oz (54 - 432 gf-cm)
Special: higher torque models available, consult CTS

Operating Temperature

-30°C to +85°C

(continued on next page)

Shaft Information

Available for round, flatted, knurled, or slot metal shaft
 Diameter: 6.35mm (.250")
 Consult CTS for custom-made metal and economic plastic shaft

Shaft Center to Lug

Standard: .438" (11.1mm)
 Special: .531" (13.5mm) available

Mounting Information

Bushing Mount

Diameter: EIA standard 3/8-32 UNEF-2A thread
 Standard length: 9.53mm (.375") or 6.35mm (.250")
 Consult CTS for custom-made metal and economic plastic bushing

Twisted Tab Mounting Available

Locating Lugs

Standard: Left lug with terminals facing inward
 Available: No lug, right lug or two lugs with terminals facing inward

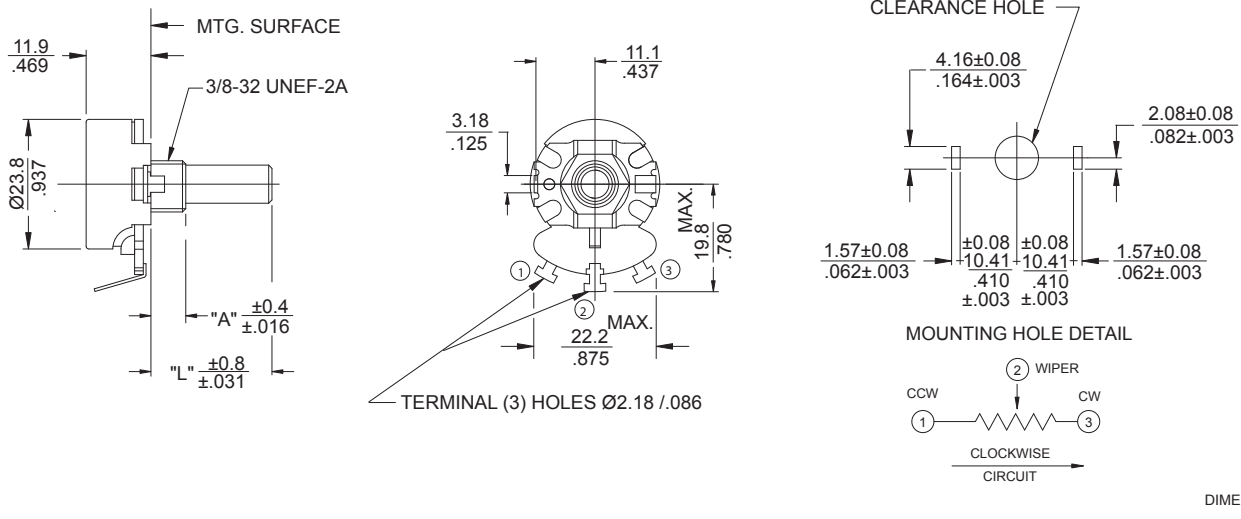
Special Features and Constructions

Terminals accepting push-on connectors available.
 Straight or concentric tandem constructions.
 Can be combined with 450 series, 15/16" (24mm) diameter, to make any combination of straight or concentric tandem constructions with or without switch.
 Long life constructions available.

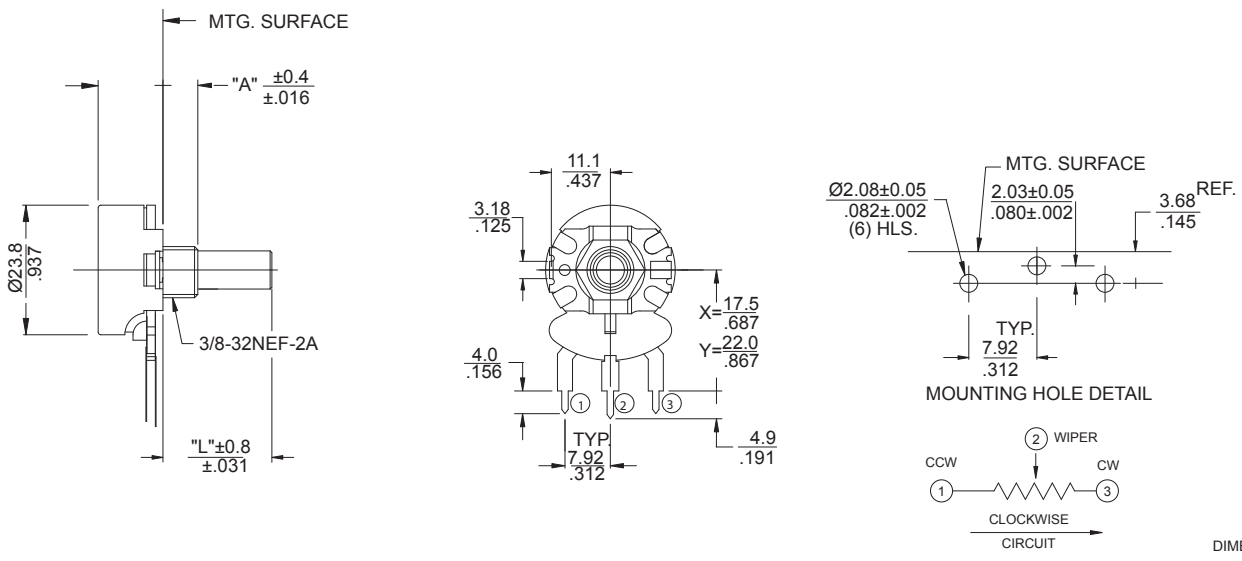
Long Life Construction

This construction provides an extended life of 50K and 100K cycles. Consult CTS for details.

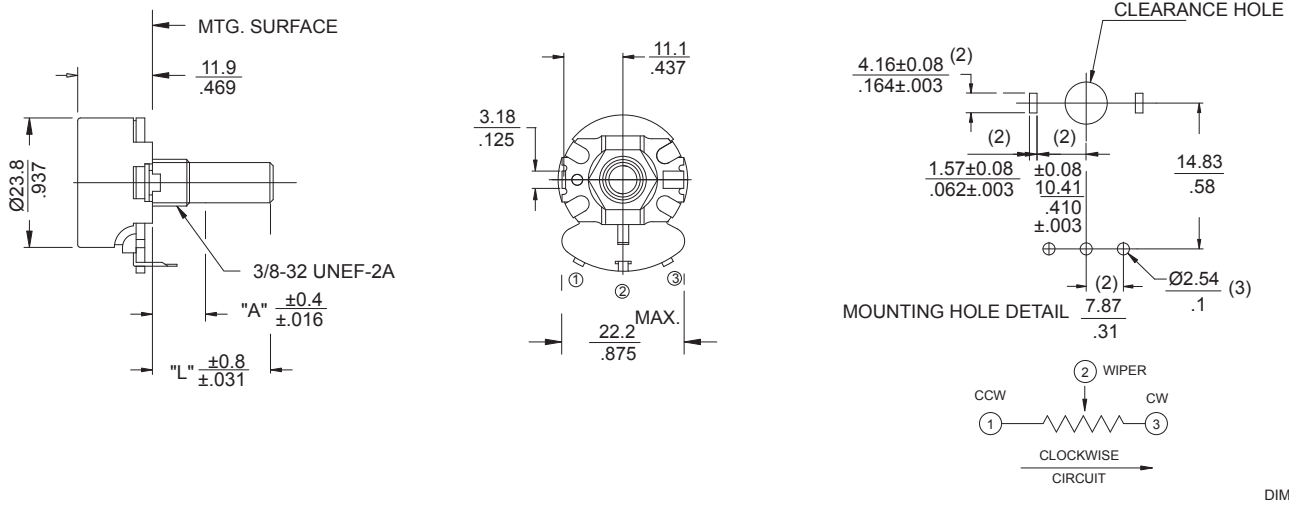
T026 Metal Shaft, Bushing Mounting, Type "T" Solder Lug Terminals



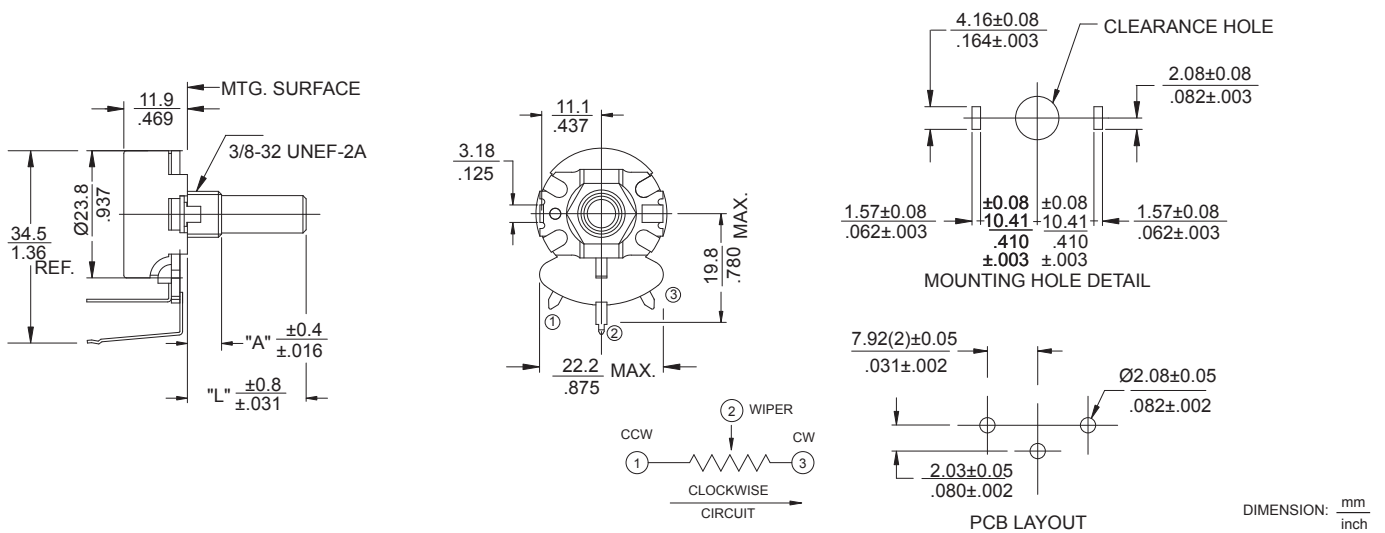
X026 / Y026 Metal Shaft, Bushing Mounting, Printed Circuit Type X/Y Terminals



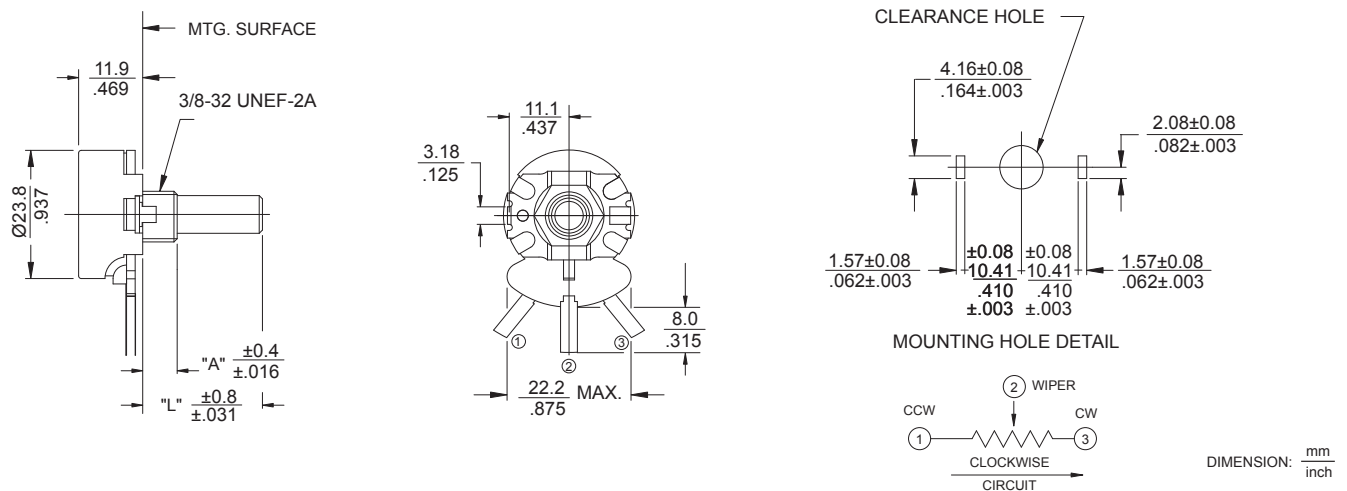
U026 Metal Shaft, Bushing Mounting, Printed Circuit Type "U" Formed Terminals



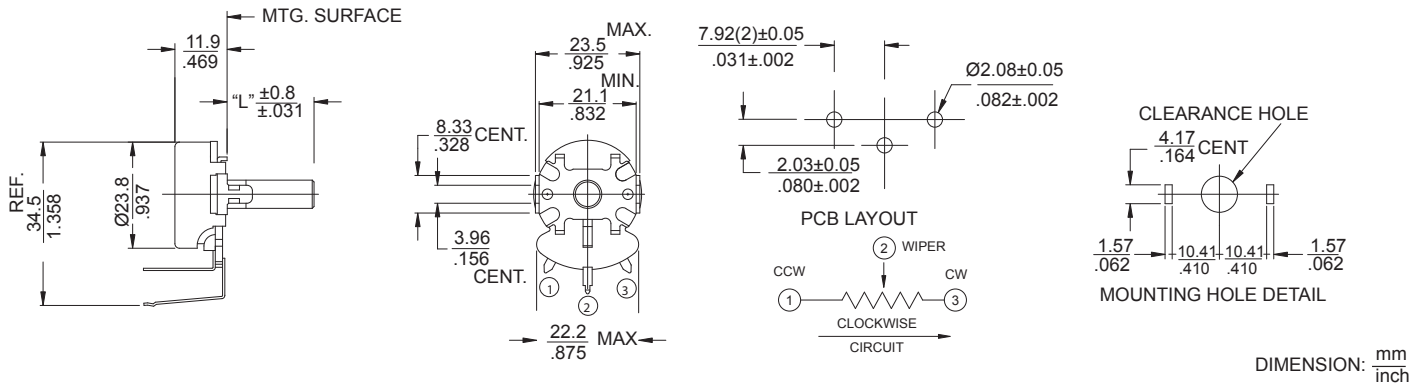
V026 Metal Shaft, Bushing Mounting, Printed Circuit Type "V" Formed Terminals



S026 Metal Shaft, Bushing Mounting, Faston Type "S" Formed Terminals

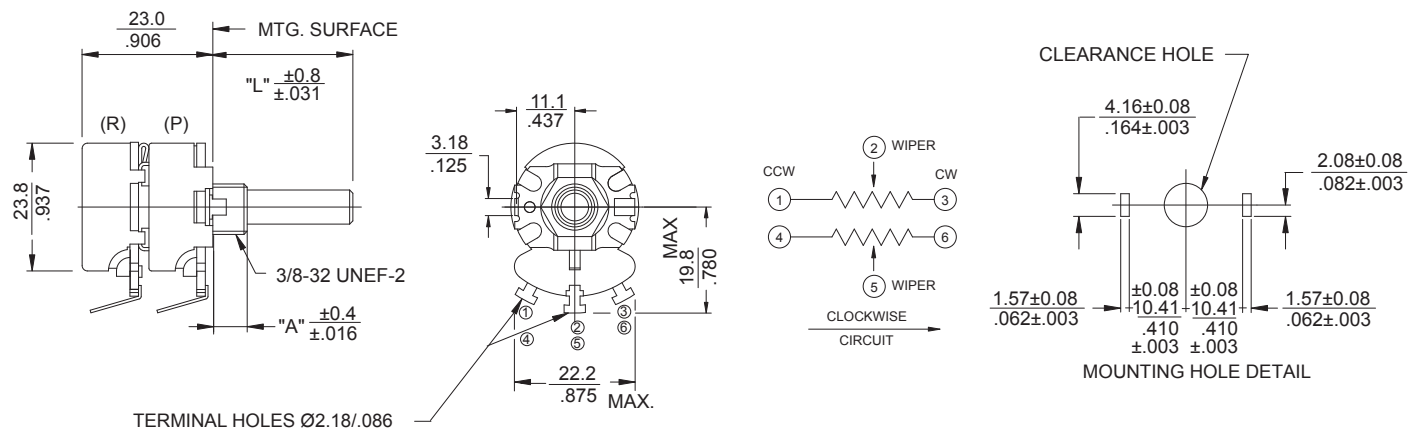


VPE026 Metal Shaft, Twist TAB Mounting, Type "V" Formed Terminals



* Consult CTS for details

T2-026 Dual-section, Metal Shaft, Bushing Mounting, Type "T" Solder Lug Terminals



* More multi-section models available, consult CTS for details

Ordering Information

