

Industrial 16mm Diameter Conductive Plastic Rotary Sensor

Features

- Compact Size
- Robust Construction
- 2% Precision Linearity
- Hermetic Construction (IP54, IP 67)
- Continuous Rotation Available
- 2 Million Life Cycles
- UL 94V-0 Plastics
- RoHS Compliant



Electrical and Mechanical Specifications

Resistance Range

5 K ohms through 500 K ohms for linear
25 K ohms through 100 K ohms for non-linear

Resistance Tolerance

±30%, ± 20%, ± 10%

Power Rating

0.5 watts @ 70°C

Dielectrical Strength

750 VDC for 1 minute

Maximum Operating Voltage

500 VDC

Insulation Resistance

1000 Megohms minimum @ 500 VDC

Rotational Angle

Mechanical angle: 250°, 300°, 360°
Effective angle: 240°, 280°, 340°

Rotational Torque

20 – 120 gf-cm

Stop Strength

9 kg-cm minimum

Mounting Information

Bushing Mount

Push-Pull strength on shaft

13.6 kg for 10 seconds

Rotational life

2M, 500K cycles

Linearity

±2%, ±3%

Temperature

Operating: -40°C~125°C
Storage: -55°C~150°C

Solder Heat Resistance

350°C for 5 seconds

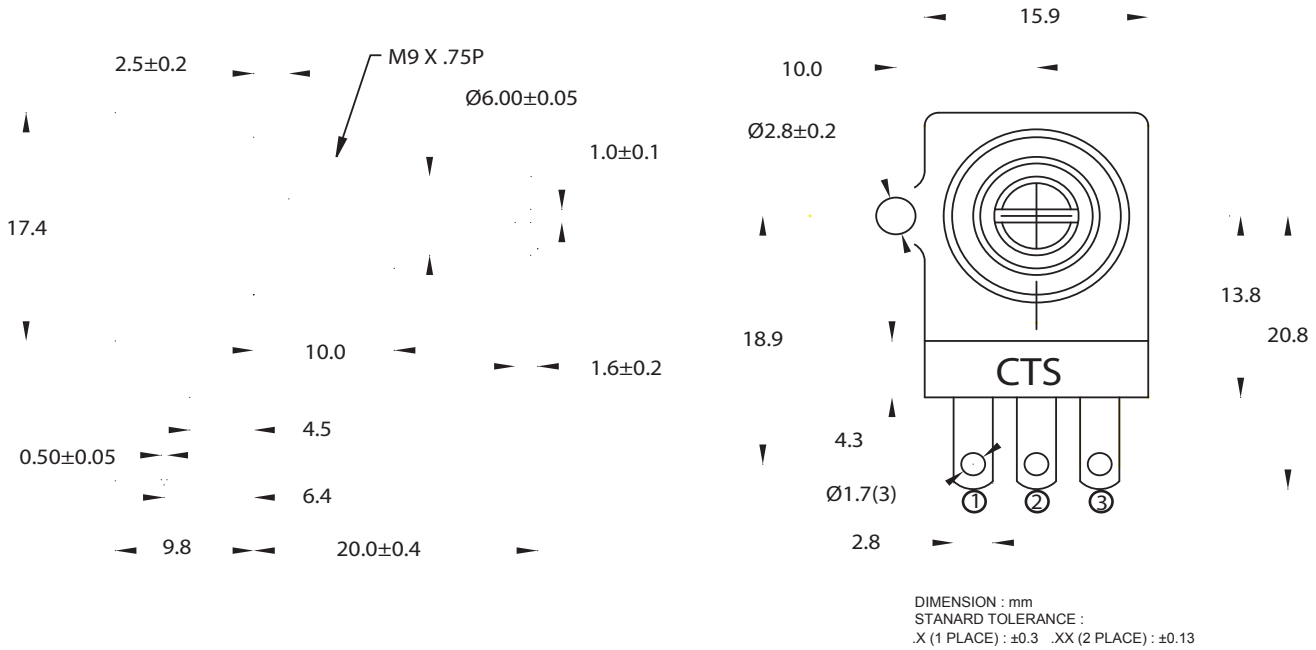
Salt Spray

96 hours

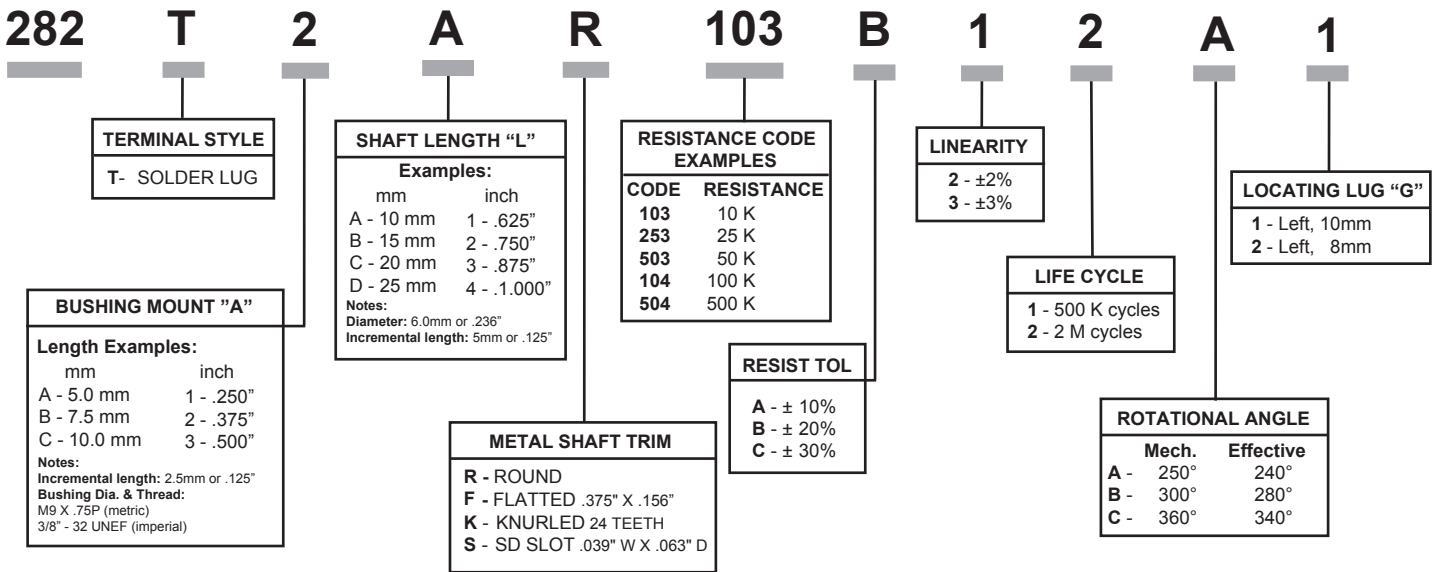
Ingress Protection Rating

Standard: IP 54
Available: IP 67

282T Metal Shaft, Bushing Mount, Solder Lug Terminal



Ordering Information



Note:
Please consult factory for custom-made or not listed features.