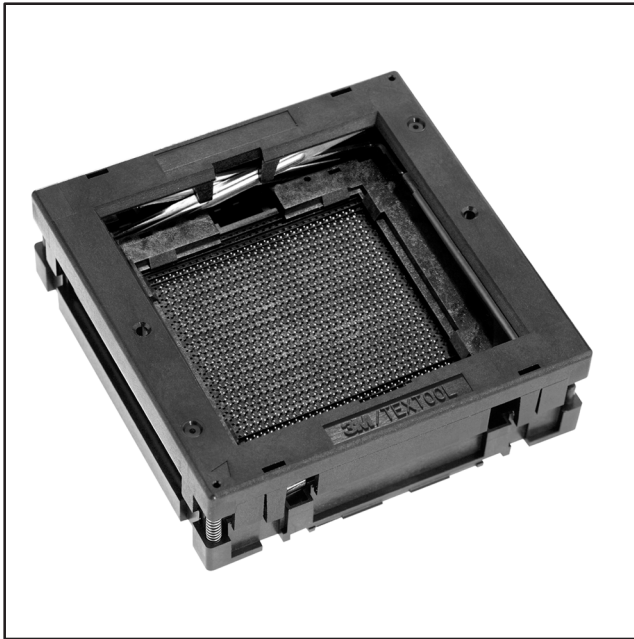


3M™ Textool™ 1.27 mm pitch, Open Top, BGA Test & Burn-In Sockets

Types II, III



- Double-beam, normally-closed contact delivers balanced, opposing forces to solder ball with minimal shear stress. Includes unique Micro-wiping effect
- Contact tips touch ball above it's center plane producing only slight indentations and minimal ball deformation.
- Allows excellent air flow around device.
- Includes a retractable locating guide for easy board mounting even with hundreds of leads.
- Compatible with most robotic handlers while it provides easy manual operation.

Type	Device	Size Matrix
II	35mm Square	27 X 27
III	45mm Square	35 X 35

Date Issued: December 13, 2002

TS-9200-07
Sheet 1 of 3

34

Physical

- Body:**
Material: Polyethersulfone (PES)
Flammability: UL 94V-0
Color: Black
- Alignment Plate:**
Material: Liquid Crystal Polymer (LCP)
Flammability: UL 94V-0
Color: Black
- Contact:**
Material: Beryllium Copper
Plating: 30 μ" (0.76 μm) Gold over 50 μ" (1.3 μm) Nickel
- Other Metal Parts:** Stainless Steel
Marking: 3M Logo/Textool

Electrical

- Insulation Resistance:** >1000MΩ at 500 Vdc
Dielectric Withstanding Voltage: 500 Vrms at Sea Level
Initial Contact Resistance: <50mΩ measured at 1.0 mA applied current
Current Rating: 0.5 A max @ 25°C

Environmental

Operating Temperature Rating: - 55 °C to + 150 °C

Mechanical

- Durability:** 20,000 actuations (10,000 devices load/unload) at room temperature.
Initial Contact Force: 17gf (0.17N) Nom
Initial Actuation Force: Type II – 2.5Kg Max @ 352 pin count
3.8Kg Max @ 480 pin count
Type III – 7Kg Max @ 540 pin count
3.8Kg @ 900 pin count
- Contact Wiper Gap - Fully Open:** 1.05mm Nom

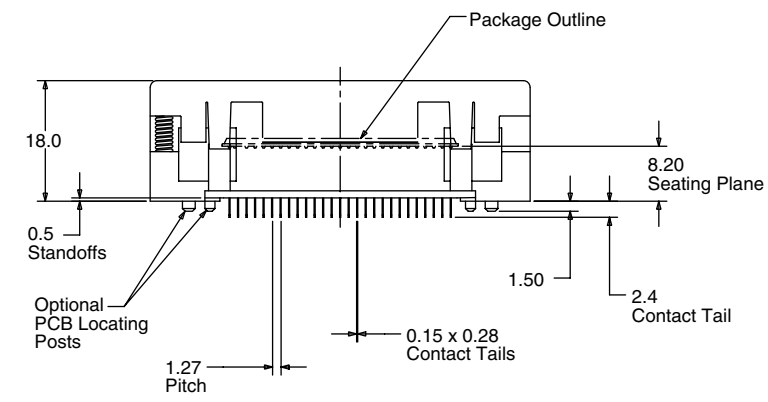
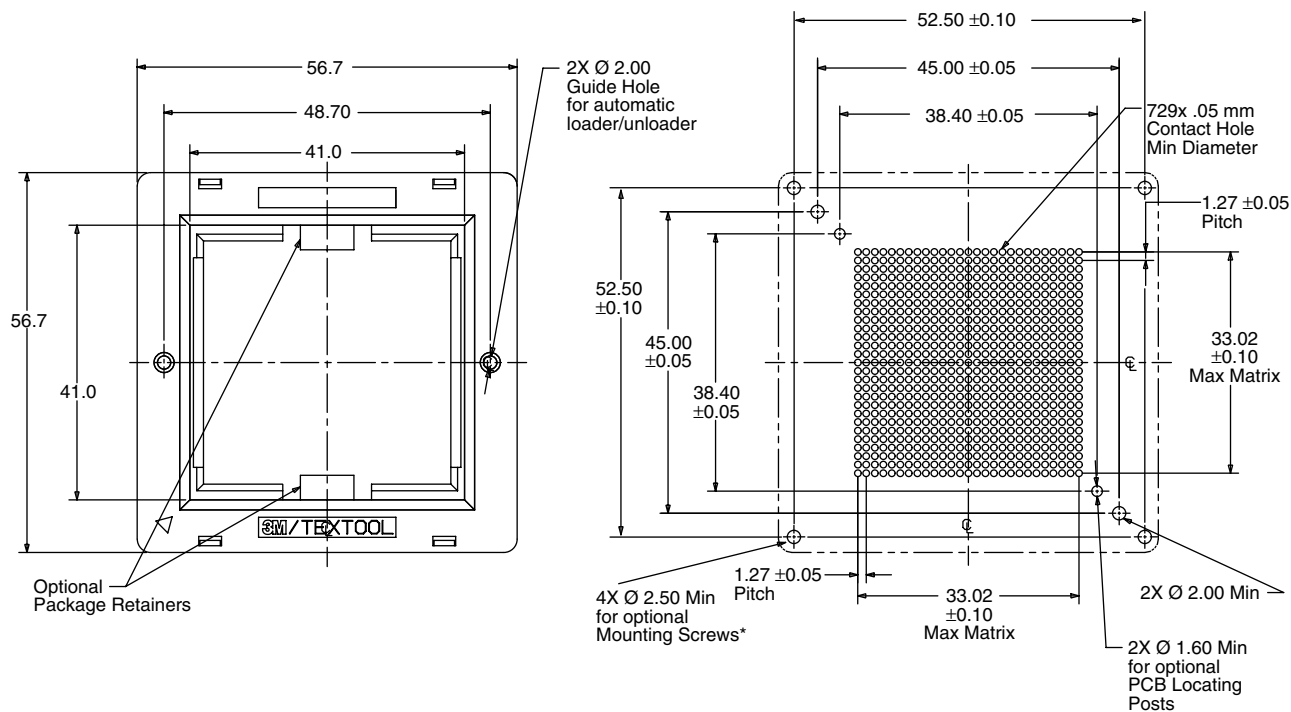
3M Electronic & Interconnect Solutions Division

6801 River Place Blvd.
Austin, TX 78726-9000

For technical, sales or ordering information call **800-225-5373**
or visit our website: www.3M.com/eisd

3M™ Textool™ 1.27 mm pitch, Open Top, BGA Test & Burn-In Sockets

Type II



Dimensions in Millimeters		
Dimension	.0	.00
Tolerance	± 0.25	± 0.13

* For 1.6 mm thick PCB, use self-tapping, STN.STL. screws size M2 x 5.0 mm long. For other PCB thicknesses, contact 3M or your preferred 3M Distributor.

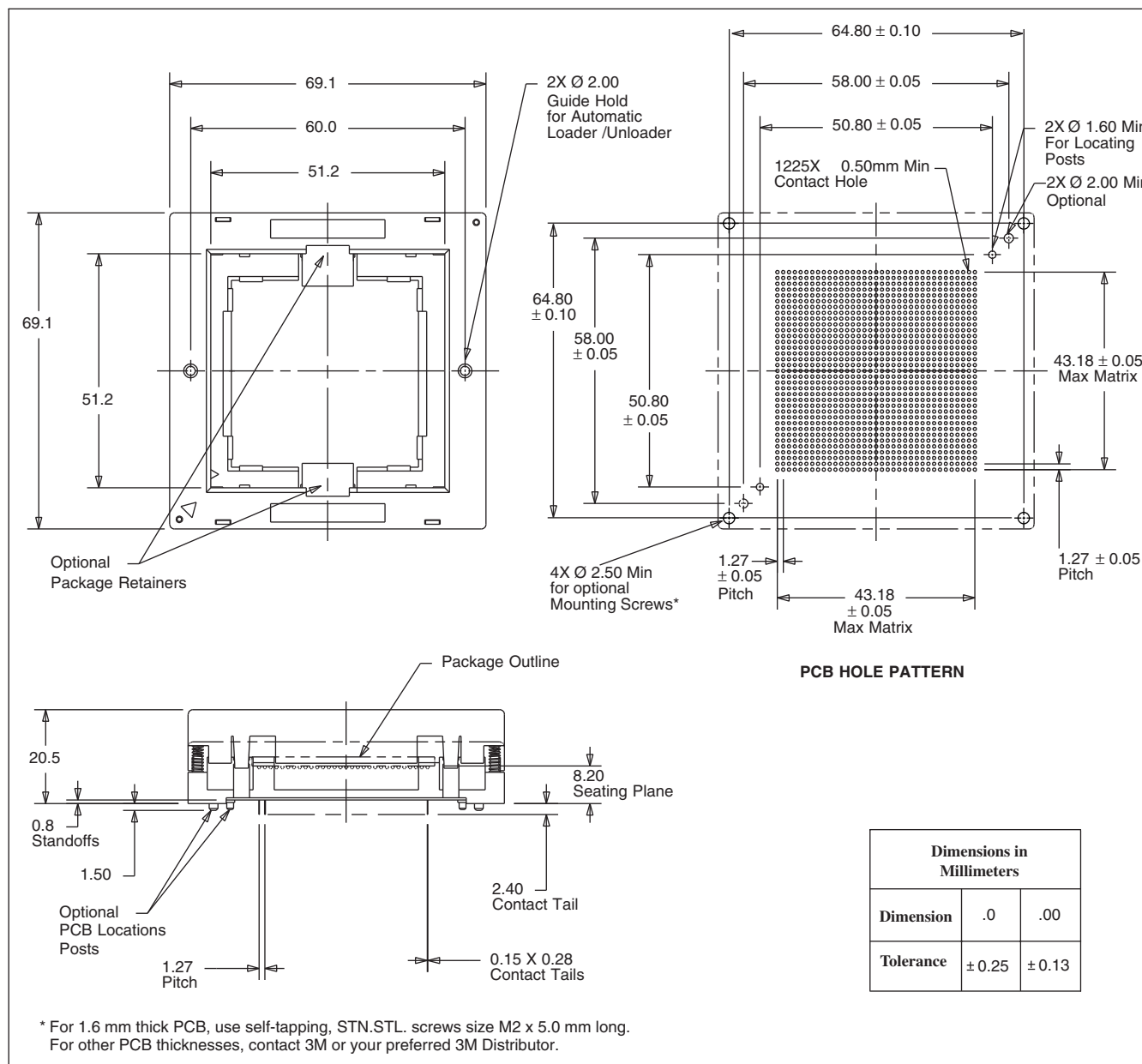
Ordering Information

PACKAGE SPECIFICATIONS	
Max Package Size	35.0 ± 0.2 mm SQ Max
Max Matrix	27x27
Ball Diameter	0.75 ± 0.10 mm

P.C.B. RECOMMENDATIONS	
Board Thickness	1.6 mm
Through Hole Diameter	0.50 mm Min

3M™ Textool™ 1.27 mm pitch, Open Top, BGA Test & Burn-In Sockets

Type III



Ordering Information

PACKAGE SPECIFICATIONS	
Max Package Size	45.0 ± 0.2 mm SQ Max
Max Matrix	35x35 Max
Ball Diameter	0.75 ± 0.10 mm

P.C.B. RECOMMENDATIONS	
Board Thickness	1.6 mm
Through Hole Diameter	0.50 mm Min

TS-9200-07
Sheet 3 of 3

3M Electronic & Interconnect Solutions Division

6801 River Place Blvd.
Austin, TX 78726-9000

For technical, sales or ordering information call **800-225-5373**
or visit our website: www.3M.com/eisd